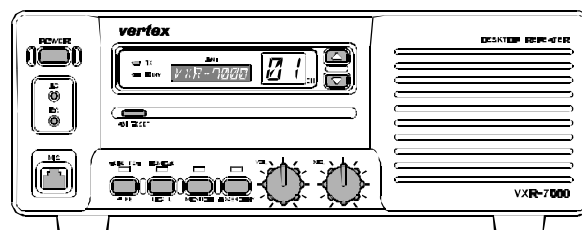




VXR-7000

Operating Manual



VERTEX STANDARD CO., LTD.

4-8-8 Nakameguro, Meguro-Ku, Tokyo 153-8644, Japan

VERTEX STANDARD

US Headquarters

17210 Edwards Rd., Cerritos, CA 90703, U.S.A.

International Division

8350 N.W. 52nd Terrace, Suite 201, Miami, FL 33166, U.S.A.

YAESU EUROPE B.V.

P.O. Box 75525, 1118 ZN Schiphol, The Netherlands

YAESU UK LTD.

Unit 12, Sun Valley Business Park, Winnall Close
Winchester, Hampshire, SO23 0LB, U.K.

YAESU GERMANY GmbH

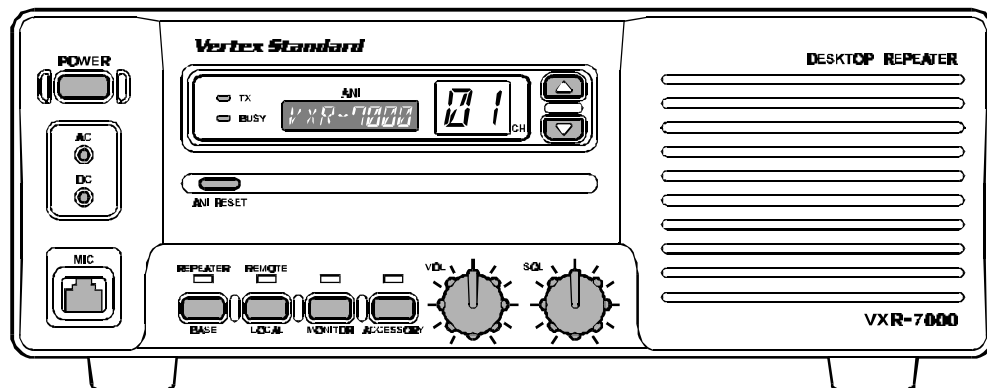
Am Kronberger Hang 2, D-65824 Schwalbach, Germany

YAESU HK LTD.

11th Floor Tsim Sha Tsui Centre, 66 Mody Rd.,
Tsim Sha Tsui East, Kowloon, Hong Kong

Contents

Introduction	1
Controls & Connectors	2
Front Panel	2
Rear Panel	3
ACC Connector Port	4
LINE Interface Port	6
Installation	7
Antenna Considerations	7
AC Power Supply Voltage Selection.....	7
DC Power Supply Backup	7
Equipment Location	7
Changing Switching Regulator unit AC Mains Jumper Wiring	8
CE27 Programming Software Instruction	10
Channel Data Items	11
Duplexer Installation	14
Specifications	16
Accessories	17



The VXR-7000 is commercial quality 50-watt FM repeater designed to provide reliable, continuous-duty two-way communications over a wide range of environmental conditions.

Designed to be a stylish base station, with high-grade components utilized throughout, the VXR-7000 utilizes the latest computer-aided design and manufacturing processes to ensure a high level of reliability for users. Important channel frequency data is stored in EEPROM, and is easily programmable by a Servicing Technician or Dealer using an IBM compatible personal computer and the VPL-1 Programming Cable and CE27 Software.

Please take a few minutes to read this manual carefully. The information presented here will allow you to derive maximum performance from your VXR-7000. After reading it, keep this manual handy for quick reference, in case questions arise later on.

Important Note: Internal service work, programming, and accessory installations should only be performed by your authorized Vertex Standard Dealer. Dangerous conditions and/or possibly illegal operation may result from improper setup, programming, or internal modifications.

IMPORTANT NOTICE

To comply with FCC RF exposure compliance requirements, the following antenna installation and device operating configurations must be satisfied:

The device is to be installed and operated at a "fixed location." The term "fixed location" means that the device is physically secured at one location and is not able to be easily moved to another location. The antenna system to be used with this device must be installed outdoors, on a permanent structure, such that a minimum separation of 6 meters (19.7 feet) is maintained from any area where persons may be walking, sitting, and/or working.

If the above antenna requirements are followed, this FCC device is considered categorically excluded from routine RF exposure evaluation for demonstrating compliance.

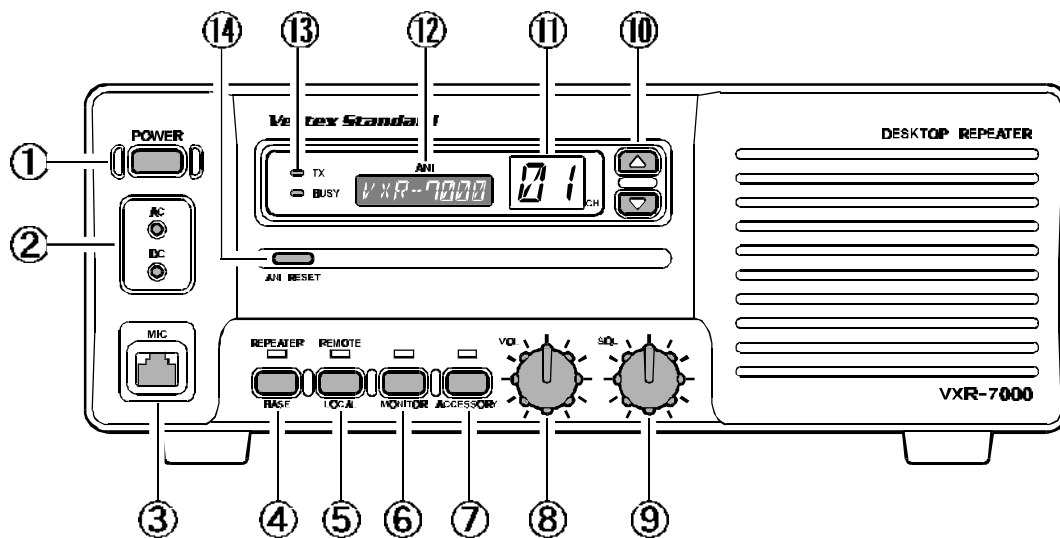
The installer of the antenna to be used with this device may be required to perform an MPE evaluation and an Environmental Assessment (EA) of the location at the time of licensing per CFR 47 Part 1.1307. Fixed mounted antennae that are co-located with other antennae must satisfy the co-location requirements of Part 1.1307.

Important Notice for North American Users Regarding 406 MHz Guard Band

The U.S. Coast Guard and National Oceanographic and Atmospheric Administration have requested the cooperation of the U.S. Federal Communications Commission in preserving the integrity of the protected frequency range 406.0 to 406.1 MHz, which is reserved for use by distress beacons. Do not attempt to program this apparatus, under any circumstances, for operation in the frequency range 406.0 - 406.1 MHz if the apparatus is to be used in or near North America.

Controls & Connectors

Front Panel



POWER Switch

This is the main power switch for the repeater.

LED Indicators

AC: This LED glows green during AC operation.

DC: This LED glows yellow during DC operation.

MIC Jack

This 8-pin modular jack accepts the microphone input, and provides a standby control line to activate the transmitter when using the **"BASE"** mode of operation. This jack also provides a "Hook" control line, as well as a "Clone Data" line.

BASE/REPEATER Switch

This switch toggles the operating mode between the **"REPEATER"** mode and the **"BASE"** transceiver mode. When the **"REPEATER"** mode is selected, the LED above it glows green. While in the **"BASE"** mode (the green LED is off), you can speak into the microphone to use it as a transceiver. For normal repeater operation, set this switch to the **"REPEATER"** mode.

LOCAL/REMOTE Switch

This switch toggles the control mode between the **"REMOTE"** mode and **"LOCAL"** mode. When the **"LOCAL"** mode is selected, the LED above it is off, and the repeater operates according to the control data programmed into the repeater. While in the **"REMOTE"** mode, the LED glows green, and the repeater operates according to the control instructions received from an external device (connected to the **ACC** jack on the rear panel).

MONITOR Switch

This switch selects the "Squelch" (receiver mute) mode. When the green LED above it is off, "Tone" or "Coded" squelch is active. When you press this switch *momentarily*, the green LED will glow steadily; in this condition, only "noise squelch" is active, and any signal present on the channel will be heard. If you *press and hold* this switch for more than 2 second, the green LED will blink and the squelch will open; in this condition, background noise will be heard if no signal is present.

ACCESSORY Switch

This switch can be set up for special applications, such as High/Low power selection, as determined by your Vertex Standard dealer. The LED above it glows green when this function is activated. For further details, contact your Vertex Standard dealer.

VOL Knob

This control knob adjusts the receiver volume level from the front panel speaker. If desired, this control knob may be set fully counterclockwise when repeater monitoring is not needed.

SQL Knob

This control knob selects the noise squelch threshold level. Set it to a position just above the point where the BUSY lamp goes out when no signal is present.

Channel Selector Buttons (▲ and ▼)

Press one of these buttons to select the operating channel.

Controls & Connectors

Channel Indicator

This seven-segment LED indicates the operating channel number.

ANI Display

The ANILCD (Liquid Crystal Display) indicates the pre-programmed ANI message according to the ANI code received.

TX/BUSY Indicator

The **BUSY** indicator glows green when the channel is busy, and the **TX** indicator glows red when the repeater is transmitting.

ANI RESET Button

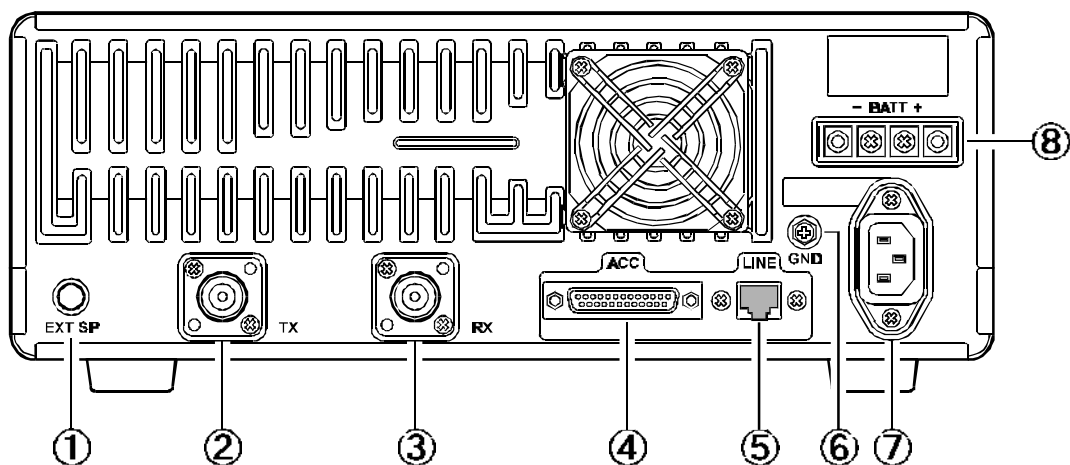
(1) ANI

Press this button to clear the message on the ANI display, and turn off the LCD backlight.

(2) ENI

Press this button to turn off the Alert tone. Press this button again to clear the message on the ANI display, and turn off the LCD backlight.

Rear Panel



EXT SP Jack

This 3.5-mm, 2-pin jack provides variable audio output for an external speaker. The audio output impedance at this jack is $4\ \Omega \sim 16\ \Omega$, and level varies according to the setting of the front panel's **VOL** control.

TX Antenna Jack

This N-type coaxial jack provides the transmitting output signal for connection to the transmitting antenna or TX jack on the duplexer, if used. The output impedance requirement is $50\ \Omega$.

RX Antenna Jack

This N-type coaxial jack accepts the receiver input signal from the receiving antenna or RX jack on the duplexer, if used. The input impedance requirement is $50\ \Omega$.

ACC Jack

This DB-25 connector provides a data interface between the microprocessor in the VXR-7000 and peripheral devices (such as the VX-TRUNK Unit).

LINE Jack

This 8-pin modular jack is used for remote control. It provides TX and RX audio, TX keying, and squelch status output. The TX and RX audio impedance is $600\ \Omega$.

GND Terminal

For best performance and safety, the GND terminal should be connected to a good earth ground using a short, heavy, braided cable.

AC Jack

This receptacle accepts the AC power cord, which should be connected to the AC mains supply or wall outlet. The AC line voltage must match that for which the repeater is wired.

BATT Terminal

These terminal posts accept 12~15 VDC for operating the repeater from a battery or other DC source. When operating from AC mains, a small trickle current is present at these terminals to maintain battery charge. A battery rated for 12 volts, 55 Ah (minimum) is recommended for short-term emergency/backup operation.

Never short-circuit these terminal while operating from AC mains.

ACC Connector Port

The VXR-7000 repeater is provided with a 25-pin DB-25F female connector for interconnections to accessories. Use a DB-25M 25-pin male connector to connect accessories to the repeater. The pins on the accessory connector are explained in detail as follows:

Pin 1: GND

Chassis ground for all logic levels and power supply return.

Pin 2: +13.8 V [Power Supply]

This pin provides 13.8 Volts, 1.0 A, regulated DC from the repeater supply. Use a 1 A fuse in the external device's DC line to prevent damage to the repeater.

Pin 3: TX AF IN [Analog Transmitter Input]

(Voice Band: 300 ~ 3,000 Hz)

Input impedance is approx. 600 Ω . This audio is injected before the splatter filter stage, so excess signal input levels are clipped.

Use shielded cable to connect to this pin, and connect the shield to GND.

Pin 4: TONE IN [Transmitter Input]

(Sub-audible Band: 6 ~ 250 Hz)

The input is high impedance (approx. 22 k Ω). Injecting too high a voltage here causes over-deviation of CTCSS or DCS, degrading performance. Use shielded cable to connect to this pin, connecting the shield to GND.

Pin 5: N.C. (No connection.)

Pin 6: DISC OUT [Analog Output]

(Wide-Band: 0 ~ 3,000 Hz)

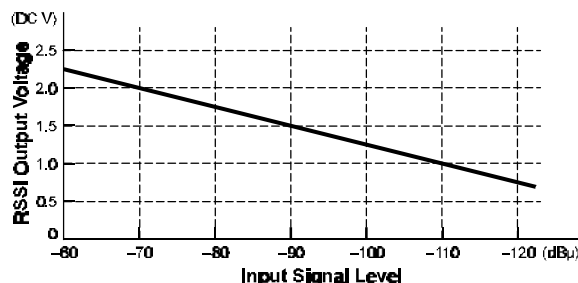
Received signals with standard deviation produce approx. 1 V_{P-P} audio at this pin. The output impedance is approx. 600 Ω , and is extracted before the de-emphasis and squelch circuitry. Use shielded cable to connect to this pin, and connect the shield to GND.

Pin 7: GND

Chassis ground for all logic levels and power supply return.

Pin 8: RSSI [Analog Output]

A DC voltage proportional to the strength of the signal currently being received (**R**eceiver **S**ignal **S**trength **I**ndicator) is provided on this pin. This low impedance output is generated by the receiver IF sub-system and buffered by an internal op-amp. Typical voltages are graphed as follows:



Pin 9: COAX. SW [Logic Output (Active Low)]

This output is intended for controlling an external coaxial switching relay. It is an open collector output which can sink approx. 10 mA when active. This signal only switches if the repeater has been programmed for "**SIMPLEX**" mode. If programmed for "**DUPLEX**," the signal remains open (high impedance) at all time.

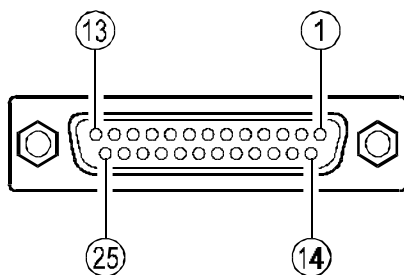
Pin 10: N.C. (No connection.)

Pin 11: NSQ DET

This is an open-collector, active-low output capable of sinking about 10 mA. It indicates that the receiver squelch is open. If the squelch control is properly set, this indicates a carrier on the receiver channel.

Pin 12: EXT PTT

This input is internally pulled up to 5 VDC. When pulled low by an external device, it keys the repeater transmitter while the repeater is operating in the "**BASE**" mode. Avoid voltage in excess of 5 V on this pin, or internal damage to the microprocessor on the repeater CNTL Unit may result.



ACC Jack
DB-25 Pin Numbering

ACC Connector Port

Pin 13: GND

Chassis ground for all logic levels and power supply return.

Pin 14: GND

Chassis ground for all logic levels and power supply return.

Pin 15: N.C. (No connection.)

Pin 16, 17, 18, & 19: REMOTE CH DATA

[Logic Inputs D3, D2, D1, and D0] (*Active Low*)

These inputs are internally pulled up to 5-V DC. When pulled low by an external device, they select one of the 16 pre-programmed repeater operating channels. The logic truth table below shows the combinations for selecting all 16 channels.

In the truth table, "1" represents no connection, and "0" represents a ground connection on the pin.

The channel selection logic is not inhibited while the transmitter is keyed: the repeater will change frequency when instructed, even while transmitting.

Avoid voltage in excess of 5 V on these pins or internal damage to the microprocessor on the repeater CNTL Unit may result.

Channel	Pin 16 (D3)	Pin 17 (D2)	Pin 18 (D1)	Pin 19 (D0)
1	1	1	1	1
2	1	1	1	0
3	1	1	0	1
4	1	1	0	0
5	1	0	1	1
6	1	0	1	0
7	1	0	0	1
8	1	0	0	0
9	0	1	1	1
10	0	1	1	0
11	0	1	0	1
12	0	1	0	0
13	0	0	1	1
14	0	0	1	0
15	0	0	0	1
16	0	0	0	0

Pin 20: GND

Chassis ground for all logic levels and power supply return.

Pin 21: A-OUTPUT [Logic Output] (*Active Low*)

This open collector logic output is pulled low when the front panel's **ACCESSORY** key is turned on. It can sink approx. 10 mA when active.

Pin 22: RXD LOW

[Digital Output for DATA Communications]
(300 ~ 3,000 Hz)

This pin is an output for low speed receiving data signals, with the data being extracted after the de-emphasis and low pass filter stages.

Pin 23: RXD HI

[Digital Output for DATA Communications]

This pin is an output for high speed receiving data signals, with the data being extracted immediately after the discriminator prior to any de-emphasis).

Pin 24: TXD LOW

[Digital Input for DATA Communications]
(300 ~ 3,000 Hz)

This pin is intended to be used as a low speed digital data signal input to the repeater. This digital data signal is injected before transmitter pre-emphasis and limiting stage, so excess signal input levels are clipped.

Pin 25: TXD HI

[Digital Input for the DATA Communications]

This pin is intended to be used as a high speed digital data signal input to the repeater. This digital data signal is injected after transmitter splatter filter stage.

LINE Interface Port

The VXR-7000 is provided with an 8-pin modular jack for line interfacing applications. A Western Electric® modular-type RJ45 plug should be used to connect to this jack. The **LINE** jack pin-out is shown below.

Note that there are both 4-line and 8-line types of modular plugs. If a 4-line modular plug is used, only the **LINE OUT** and **LINE IN** connections will be made. An 8-line plug is required to access all lines. In accordance with standard telecommunications interface, the line connections on the **LINE** interface jack are impedance balanced, and are described as follows.

Pins 1 & 2: [RX SQ(+), RX SQ(-)]

An opto-isolator is provided to facilitate E (EAR) signaling. The opto-isolator comes on when a signal exceeding the receiver squelch appears on the receiver channel (with correct CTCSS tone or DCS code, if enabled). The RX SQ(-) pin is the emitter, and RX SQ(+) is the collector.

Pins 3 & 4: [LINE IN (Tx Line Audio)]

Analog signals between 300 and 3000 Hz supplied to this pair are fed to the transmitter when the repeater is set to the BASE mode (the **REPEATER** LED is turned off) and keyed either by the TX KEY input signal (see below), or by the EXT PTT signal on pin 12 of the rear panel's **ACC** jack. Standard deviation is obtained with a line level of -10 dBm.

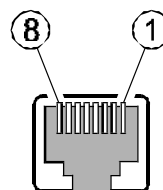
Pins 5 & 6: [LINE OUT (Rx Line Audio)]

Receiver audio is available from this pair, subject to internal CTCSS or DCS decode if the received signal strength is above the squelch threshold.

As shipped from the factory, a 1-kHz receiver signal with standard deviation gives -10 dBm on the line, but this can be varied by **VR4002** and **S4001** (on the repeater's CNTL Unit).

Pins 7 & 8 [TX KEY(+), TX KEY(-)]

An opto-isolator is provided to facilitate M (MIC) signaling. That is, a voltage presented to these pins turns on the opto-isolator and keys the transmitter. The TX KEY(+) pin is the anode of the opto-isolator, and RX SQ(-) is the cathode of the opto-isolator.



LINE Jack
Modular Jack Pin Numbering

Antenna Considerations

Repeater operation without a duplexer requires that two antennas be installed, one for receiving and one for transmitting, so that the receiving antenna does not absorb energy from the transmitting antenna. There are a number of ways to do this, depending on the TX/RX frequency separation, and on the locations available for antenna mounting. If a duplexer is used, a single antenna suffices for both transmitting and receiving. If using a reduced-size duplexer, a six-cavity model (minimum) is recommended. Vertex Standard recommends the use of the duplexer. For further details, contact your Vertex Standard dealer.

Regardless of the above choice, it is of paramount importance that the antenna(s) be mounted as high and in the clear as possible, preferably within line-of-sight to all repeater users. Furthermore, losses in the feedline(s) must be minimized, so the feedline(s) should be high quality, and as short as possible. If a long feedline is necessary, use coaxial "hardline" cable to reduce losses.

Repeater antennas should have an impedance of 50 Ω at the operating frequency. When separate receive and transmit antennas are used, high-Q narrow-band types may serve to minimize interaction. However, when a single antenna is used with a duplexer, it should be a low-Q wide-band type.

NEVER TRANSMIT WITHOUT HAVING A TRANSMIT ANTENNA CONNECTED TO THE TX ANTENNA JACK OF THE REPEATER.

AC Power Supply Voltage Selection

Each repeater is wired for a particular AC mains voltage between 100 and 253 VAC. This should be indicated by a label near the AC jack on the rear panel. If no label is present, or if the AC voltage on the label is different from the local AC line, check the wiring inside the Switching Regulator Unit of the repeater, and change the connections (and label) if necessary, as shown next page.

Changing the AC input voltage wiring also requires changing the fuse on the FILTER Unit if the voltage is changed from 100 VAC (100-127 VAC) to 200 VAC (207-253 VAC), or vice-versa. Use a 5-amp fuse for 100 VAC, or a 3-amp fuse for the 200 VAC.

DC Power Supply Backup

For uninterrupted operation during power failures, a 12 volt rechargeable type battery (55-Ah or more recommended) may be connected to the **BATT** terminal posts on the rear panel. While the repeater is operating from the AC source, a slight charging current will maintain battery charge. In the event of an AC power outage, the automatic power control circuit will automatically switch the repeater to the backup battery, and operation will not be interrupted.

After prolonged operation from the battery, it should be disconnected from the repeater and recharged separately before re-connecting, as the trickle charge is not sufficient for recharging a completely discharged battery.

Never reapply AC power to the repeater with a discharged battery connected, as the DC startup current can damage the repeater and battery.

While operating from a battery or DC supply, the repeater requires approximately 7 amperes at 12 Volts during transmit.

Equipment Location

While the operating temperature range of the repeater is quite broad, the best location is one in which the air temperature does not approach the extremes of the specified range, and one that does not change rapidly. Make sure to allow for free air flow around the heatsink on the rear apron at all times. In warm climates, the repeater should not be sealed in a small closed room.

Protect the repeater from wind and rain, and extremes in temperature or humidity that may shorten the useful life of the equipment. Try to locate the repeater in an environment that is also comfortable for service personnel, if possible.

Installation

Changing Switching Regulator unit AC Mains Jumper Wiring
Before attempting this jumper wire change, remove the AC power cord from the AC jack on the rear panel.

- ❑ Referring to Figure 1, remove the 14 screws affixing the top and bottom covers of the repeater, and remove the covers.
- ❑ Remove the eight screws affixing the shield cover for the FILTER Unit, and remove the cover (see Figure 1).
- ❑ Disconnect all wires and connectors from the FILTER Unit, then remove the six screws affixing the Switching Regulator Unit, and remove it (the Switching Regulator Unit is mounted with the FILTER Unit: Figure 2).
- ❑ Referring to Figure 3, remove the four screws and remove the heatsink from the Switching Regulator Unit.

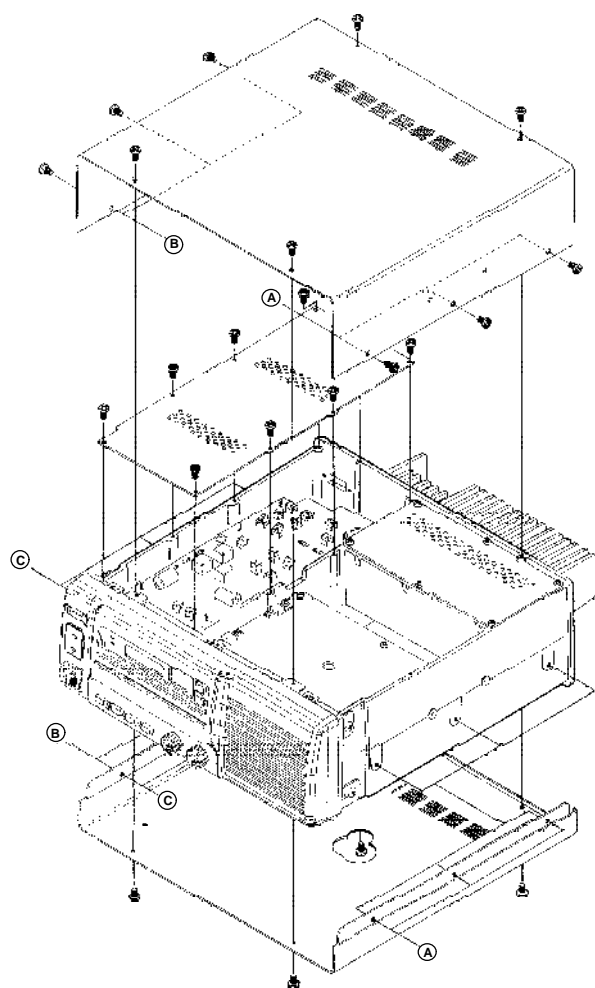


Figure 1

- ❑ Referring to Figure 4, perform the correct jumper wiring on the Switching Regulator Unit for the AC Mains voltage used in your area (100-127 VAC or 207-253 VAC).
- ❑ Replace the heatsink onto the Switching Regulator Unit, then replace the Switching Regulator Unit onto the chassis, and connect all wires and connectors to the FILTER Unit.
- ❑ Replace the AC fuse (FH6001) on the FILTER Unit according to the AC Mains voltage range:
 - 100 VAC (100-127 VAC): 5A
 - 200 VAC (207-253 VAC): 3A.
- ❑ Replace the shield cover and replace the top and bottom covers. This completes the wiring change.

Important! If you change the AC voltage range, you must also change the AC fuse on the FILTER Unit. Do not replace with a slow-blow type fuse.

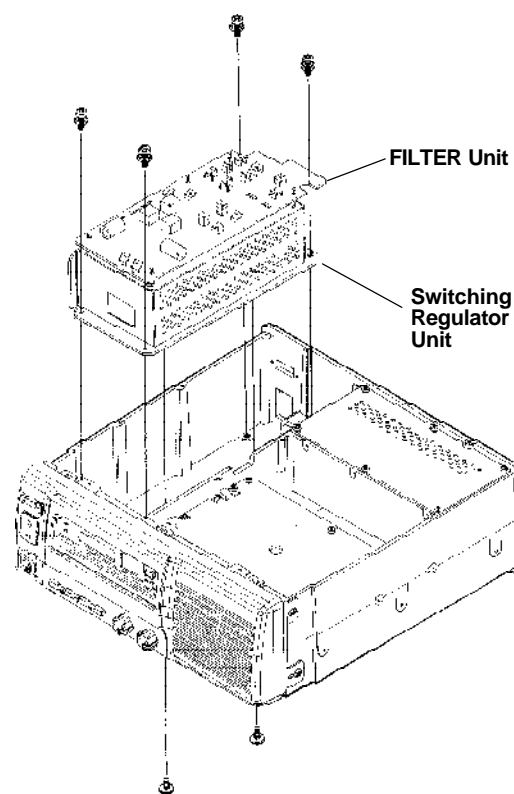


Figure 2

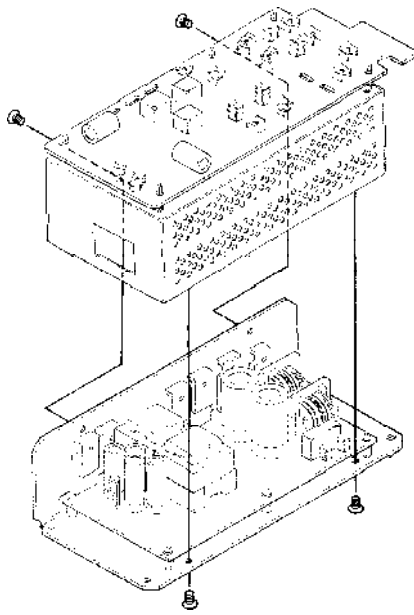


Figure 3

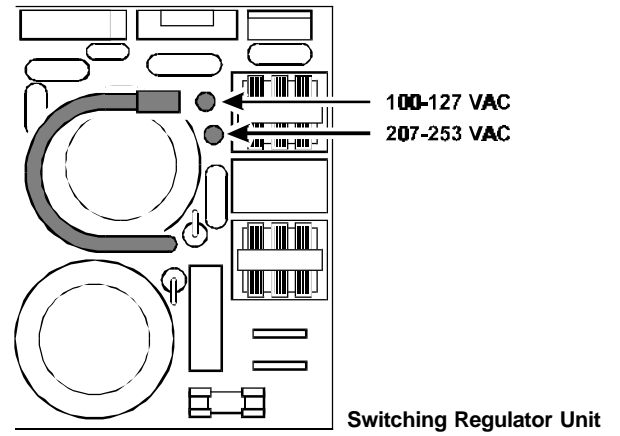


Figure 4

CE27 Programming Software Instruction

With the CE27 Programming Software, you can quickly and easily program the Vertex Standard VXR-7000 repeater's channels and configuration from your personal computer. Channel data programming format is identical for VHF and UHF repeaters. In the event of an accidental memory failure, repeater memory and configuration data may be re-loaded in a matter of minutes.

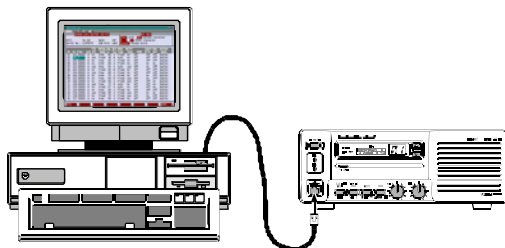
The CE27 Programming Software diskette contains the following files:

- CE27.EXE
- CE27.HLP

Before connecting the VXR-7000 for programming, turn off both the computer and the VXR-7000. Now connect the VPL-1 Connection Cable to the computer's serial port and the VXR-7000.

Then it will be safe to restart the computer; turning off the equipment during interconnection avoids the potential for damage to the electronics caused by voltage spikes.

Insert the distribution diskette into your 3½" drive (after booting DOS), and make a copy of the diskette; use the distribution diskette for archive purposes, and use the disk copy for programming.



VXR-7000 Programming Setup

Place the CE27 (copy) diskette into your 3½" drive (usually "Drive A"), and log onto this drive by typing "A: [ENTER]", then load the contents of the CE27 diskette into a directory named CE27, using the COPY command (e.g. "COPY A:.* C:\CE27").

Now type "CE27 [ENTER]" to start the program. The introductory screen will appear, and you may press any key to enter the main screen.

Choose the "Help" contents option (F1) from the program's Menu for assistance with channel programming or setting of parameters.

Important Note!

- Do not run the CE27 programming software directly from the original distribution diskette. Copy the programming software to your computer's hard disk, then run the software from the hard disk only. Keep the original distribution diskette in a safe place in case you need to make another copy of it at a later date.
- Before creating the programming data for your VXR-7000 via the CE27 programming software, upload the current factory hardware environment data from the VXR-7000, using the [F5] (ReadRom) command. Use this data profile to create the programming data for this repeater.

MS-DOS - CE27

EEPROM DATA EDITOR <CE-27> KEY HELP

Edit: noname.rpt Band: VHF 0..9 Input Frequency
 Serial No.: 12345678 COM Port: COM1 [.] Enter 100kHz Digit...

Ch	Rx Freq.	Decoders		W/N	Clk Sft	NSQ Mode	Lv	Court Blip	Rev Bst	DCS Typ	DDec Type	Multi Tone	CWID ANI/ENI
		CTCSS	DCS										
01	161.00000	88.5	off	W	no	Prpgrm	...	off	off	A	Fixed	no	off
02	161.05000	100.0	off	W	no	Prpgrm	...	off	off	A	Fixed	no	off
03	161.01000	off	023	W	no	Prpgrm	...	on	off	A	Fixed	no	off
04	161.01500	off	155	W	yes	Prpgrm	...	off	off	A	Fixed	no	off
05	161.02000	off	155	W	no	Prpgrm	...	off	off	B	Fixed	no	off
06	161.02500	88.5	off	W	no	Prpgrm	...	off	off	A	Fixed	no	off
07	161.03000	114.8	off	W	no	Prpgrm	...	on	on	A	Fixed	no	off
08	161.03500	off	251	W	no	Prpgrm	...	off	off	A	Fixed	no	off
09	161.04000	off	506	W	no	Prpgrm	...	off	off	A	Fixed	no	off
10	161.04500	off	off	W	no	Prpgrm	...	off	off	A	Fixed	no	off
11	161.05000	100.0	off	W	no	Prpgrm	...	on	on	A	Fixed	no	off
12	161.05500	88.5	off	W	no	Prpgrm	...	off	off	A	Fixed	no	off
13	161.06000	103.5	off	W	no	Prpgrm	...	off	off	A	Fixed	no	off
14	161.06500	off	off	W	yes	Prpgrm	...	off	off	A	Fixed	no	off
15	161.07000	79.7	off	W	no	Prpgrm	...	on	off	A	Fixed	no	off
16	161.07500	off	off	W	no	User	127	off	on	A	Fixed	no	off

1Help 2Common 3DiskLoad 4DiskSave 5Read ROM 6WriteROM 7PrintOut 8Quit

CE27 Main Screen (Left)

CE27 Programming Software Instruction

Channel Data Items

Ch: Channel Number

This 2-digit number (01 - 16) is used to identify the channel. Channel numbers occur in sequence, and their order can not be changed.

Rx Freq.: Edit Receive (or simplex) Frequency

Use the [0] - [9] keys to enter the desired channel frequency directly, and press the [ENTER] key.

CTCSS Decoders: Toggle CTCSS Decoder ON/OFF, sets CTCSS Frequency

Press the [SPACE] bar to toggle the CTCSS Decoder "on" or "off," or press the [ENTER] key to display the "TONE SELECT" window, from which you may select a CTCSS frequency using the [ARROW] key; press [ENTER] again to accept the selected tone, or press [Esc] key to cancel.

Tone	Select	Tone	Select	Tone	Select
67	026	67	026	67	026
69	031	69	031	69	031
71	032	71	032	71	032
73	036	73	036	73	036
74	043	74	043	74	043
75	047	75	047	75	047
77	051	77	051	77	051
79	054	79	054	79	054
81	055	81	055	81	055
82	065	82	065	82	065
83	071	83	071	83	071
84	072	84	072	84	072
85	073	85	073	85	073
86	074	86	074	86	074
87	075	87	075	87	075
88	076	88	076	88	076
89	077	89	077	89	077
90	078	90	078	90	078
91	079	91	079	91	079
92	080	92	080	92	080
93	081	93	081	93	081
94	082	94	082	94	082
95	083	95	083	95	083
96	084	96	084	96	084
97	085	97	085	97	085
98	086	98	086	98	086
99	087	99	087	99	087
100	088	100	088	100	088
101	089	101	089	101	089
102	090	102	090	102	090
103	091	103	091	103	091
104	092	104	092	104	092
105	093	105	093	105	093
106	094	106	094	106	094
107	095	107	095	107	095
108	096	108	096	108	096
109	097	109	097	109	097
110	098	110	098	110	098
111	099	111	099	111	099
112	100	112	100	112	100
113	101	113	101	113	101
114	102	114	102	114	102
115	103	115	103	115	103
116	104	116	104	116	104
117	105	117	105	117	105
118	106	118	106	118	106
119	107	119	107	119	107
120	108	120	108	120	108
121	109	121	109	121	109
122	110	122	110	122	110
123	111	123	111	123	111
124	112	124	112	124	112
125	113	125	113	125	113
126	114	126	114	126	114
127	115	127	115	127	115
128	116	128	116	128	116
129	117	129	117	129	117
130	118	130	118	130	118
131	119	131	119	131	119
132	120	132	120	132	120
133	121	133	121	133	121
134	122	134	122	134	122
135	123	135	123	135	123
136	124	136	124	136	124
137	125	137	125	137	125
138	126	138	126	138	126
139	127	139	127	139	127
140	128	140	128	140	128
141	129	141	129	141	129
142	130	142	130	142	130
143	131	143	131	143	131
144	132	144	132	144	132
145	133	145	133	145	133
146	134	146	134	146	134
147	135	147	135	147	135
148	136	148	136	148	136
149	137	149	137	149	137
150	138	150	138	150	138
151	139	151	139	151	139
152	140	152	140	152	140
153	141	153	141	153	141
154	142	154	142	154	142
155	143	155	143	155	143
156	144	156	144	156	144
157	145	157	145	157	145
158	146	158	146	158	146
159	147	159	147	159	147
160	148	160	148	160	148
161	149	161	149	161	149
162	150	162	150	162	150
163	151	163	151	163	151
164	152	164	152	164	152
165	153	165	153	165	153
166	154	166	154	166	154
167	155	167	155	167	155
168	156	168	156	168	156
169	157	169	157	169	157
170	158	170	158	170	158
171	159	171	159	171	159
172	160	172	160	172	160
173	161	173	161	173	161
174	162	174	162	174	162
175	163	175	163	175	163
176	164	176	164	176	164
177	165	177	165	177	165
178	166	178	166	178	166
179	167	179	167	179	167
180	168	180	168	180	168
181	169	181	169	181	169
182	170	182	170	182	170
183	171	183	171	183	171
184	172	184	172	184	172
185	173	185	173	185	173
186	174	186	174	186	174
187	175	187	175	187	175
188	176	188	176	188	176
189	177	189	177	189	177
190	178	190	178	190	178
191	179	191	179	191	179
192	180	192	180	192	180
193	181	193	181	193	181
194	182	194	182	194	182
195	183	195	183	195	183
196	184	196	184	196	184
197	185	197	185	197	185
198	186	198	186	198	186
199	187	199	187	199	187
200	188	200	188	200	188
201	189	201	189	201	189
202	190	202	190	202	190
203	191	203	191	203	191
204	192	204	192	204	192
205	193	205	193	205	193
206	194	206	194	206	194
207	195	207	195	207	195
208	196	208	196	208	196
209	197	209	197	209	197
210	198	210	198	210	198
211	199	211	199	211	199
212	200	212	200	212	200
213	201	213	201	213	201
214	202	214	202	214	202
215	203	215	203	215	203
216	204	216	204	216	204
217	205	217	205	217	205
218	206	218	206	218	206
219	207	219	207	219	207
220	208	220	208	220	208
221	209	221	209	221	209
222	210	222	210	222	210
223	211	223	211	223	211
224	212	224	212	224	212
225	213	225	213	225	213
226	214	226	214	226	214
227	215	227	215	227	215
228	216	228	216	228	216
229	217	229	217	229	217
230	218	230	218	230	218
231	219	231	219	231	219
232	220	232	220	232	220
233	221	233	221	233	221
234	222	234	222	234	222
235	223	235	223	235	223
236	224	236	224	236	224
237	225	237	225	237	225
238	226	238	226	238	226
239	227	239	227	239	227
240	228	240	228	240	228
241	229	241	229	241	229
242	230	242	230	242	230
243	231	243	231	243	231
244	232	244	232	244	232
245	233	245	233	245	233
246	234	246	234	246	234
247	235	247	235	247	235
248	236	248	236	248	236
249	237	249	237	249	237
250	238	250	238	250	238
251	239	251	239	251	239
252	240	252	240	252	240
253	241	253	241	253	241
254	242	254	242	254	242
255	243	255	243	255	243
256	244	256	244	256	244
257	245	257	245	257	245
258	246	258	246	258	246
259	247	259	247	259	247
260	248	260	248	260	248
261	249	261	249	261	249
262	250	262	250	262	250
263	251	263	251	263	251
264	252	264	252	264	252
265	253	265	253	265	253
266	254	266	254	266	254
267	255	267	255	267	255
268	256	268	256	268	256
269	257	269	257	269	257
270	258	270	258	270	258
271	259	271	259	271	259
272	260	272	260	272	260
273	261	273	261	273	261
274	262	274	262	274	262
275	263	275	263	275	263
276	264	276	264	276	264
277	265	277	265	277	265
278	266	278	266	278	266
279	267	279	267	279	267
280	268	280	268	280	268
281	269	281	269	281	269
282	270	282	270	282	270
283	271	283	271	283	271
284	272	284	272	284	272
285	273	285	273	285	273
286	274	286	274	286	274
287	275	287	275	287	275
288	276	288	276	288	276
289	277	289	277	289	277
290	278	290	278	290	278
291	279	291	279	291	279
292	280	292	280	292	280
293	281	293	281	293	281
294	282	294	282	294	282
295	283	295	283	295	283

CE27 Programming Software Instruction

Rev Bst: Reverse Burst.

When this parameter is set to "on," the CTCSS tone signal's phase is inverted just before the repeater turns to receive. This allows the portable/mobile station's CTCSS Decoder to begin switching off, thus reducing the transition time required.

Press the [SPACE] bar to toggle "on" or "off."

DCS Typ: DCS Format

This command is effective only when DCS is chosen for squelch control.

A = "Normal" DCS

B = "Inverted" (complement) DCS

Press the [SPACE] bar to select the desired DCS Type.

DDec Type: DCS Decoder Type

This command selects the manner in which DCS is to be decoded.

Fixed = Decodes only the type selected in above parameter (**DCS Typ:** Normal or Inverted).

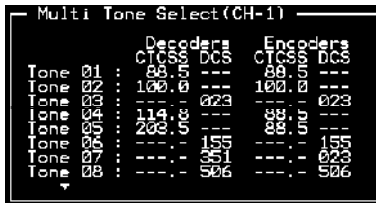
Auto = Both types (Normal and Inverted) will be decoded.

Press the [SPACE] bar to select the desired DCS Decoder Mode.

Multi Tone: Enable/disable Multi Tone Operation

Press the [SPACE] bar to toggle Multi Tone Operation between selections "yes" and "no."

Press the [ENTER] key to display the "MULTI TONE SELECT" window, from which you may select a CTCSS tone or DCS code;



move the cursor to the appropriate field you using the [ARROW] key, then press the [ENTER] key to open the "TONE SELECT" or "CODE SELECT" window. Now select the desired CTCSS tone or DCS code using the [ARROW] key, then press the [ENTER] key again to accept the selected tone or code, or press the [Esc] key to cancel. You may set as many as 16 CTCSS tones and/or DCS codes.

Note that, if you do not yet program a CTCSS tone or DCS code in the "MULTI TONE SELECT" window (when the "MULTI TONE SELECT" window data is not programmed), press the [SPACE] bar to display the "MULTI TONE SELECT" window directly.

CWID ANI/ENI: Select the Identifier mode

Press the [SPACE] bar to toggle the selections "CW ID," "ANI/ENI," or "Off." To select this feature to the "CW ID" or "ANI/ENI," the "CW ID" parameter must be enabled via the dealer programming.

Action Mode: Select the repeater operation mode

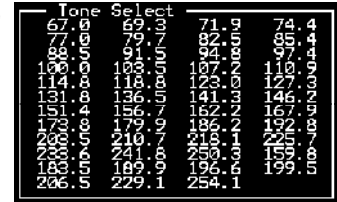
Press the [SPACE] bar to toggle between "Duplex" operation or "Simplex" operation.

Tx Freq.: Edit Transmit Frequency

Use the [0] - [9] keys to enter the desired channel frequency directly, and press the [ENTER] key.

CTCSS Encoders: Toggle CTCSS Encoder ON/OFF, sets CTCSS Frequency

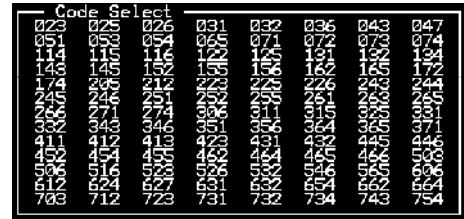
Press the [SPACE] bar to toggle the CTCSS Encoder "on" or "off," or press the [ENTER] key to display the "TONE SELECT" window,



from which you may select a CTCSS frequency using the [ARROW] key; press [ENTER] again to accept the selected tone, or press the [Esc] key to cancel.

DCS Encoders: Toggle DCS Encoder ON/OFF, sets DCS Code

Press the [SPACE] bar to toggle the DCS Encoder "on" or "off," or press the [ENTER] key to display the "CODE SELECT" window, from which you may select a DCS code using the [ARROW] key; press [ENTER] again to accept the selected code, or press the [Esc] key to cancel.



CE27 Programming Software Instruction

TX Pwr: *Transmitter Power Output Selection*

This parameter selects the desired power output from the VXR-7000 on the current channel. The available values are HIGH and LOW.

Press the [SPACE] bar to select “Hi” or “Lo.”

TOT Mute: *Enable/disable the TOT (Time-Out Timer) beep monitoring*

When this parameter is set to “on,” the alert beep will sound from the front panel speaker before the repeater turns itself off.

RptTOT Use: *Enable/disable the Time-Out Timer while operating in the repeater mode*

Press the [SPACE] bar to toggle the Repeater TOT selects “yes” or “no.”

The TOT time is determined via dealer programming.

RptTOT Beep: *Enable/disable the TOT beep Transmission*

Press the [SPACE] bar to toggle the TOT beep selects “yes” or “no.”

When this parameter is set to “yes,” the alert beep will be sent out on the air before the repeater turns itself off, while operating in the “**REPEATER**” mode.

RPT HT: *Enable/disable the Repeater Hang-on Timer*

Press the [SPACE] bar to toggle the Repeater Hang-on Timer selects “yes” or “no.”

When this parameter is set to “yes,” the repeater will remain keyed for a desired seconds after a receiving carrier is dropped.

The Hang-up time is determined via dealer programming.

RPT GT: *Enable/disable the Repeater Guard*

When this parameter is set to “yes,” the transmitter inhibit few second before the repeater is unkeyed.

The inhibit time is determined via dealer programming.

Duplexer Installation

Important Notes!

Please refer to the operating manual for your Duplexer for details regarding maximum power input, TX/RX connector locations, etc) before installing the Antenna Duplexer.

Be certain to observe and comply with the specifications for frequency separation and maximum transmitter power for the duplexer connected to the VXR-7000, particularly when using the VXD-40xx internal duplexer. When the VXD-40xx is used, the frequency separation must be 5 MHz (minimum) to 10 MHz (maximum), and the maximum transmitter power output allowed is 40 Watts.

If the VXR-7000 output power (50 Watts) is in excess of the range of the duplexer's capability, you may reduce the TX output power of the VXR-7000 before installing the Antenna Duplexer, using the following procedure:

1. Connect the VXR-7000's TX antenna port to a wattmeter and dummy load (the duplexer must not be connected at this point). Connect any Vertex Standard microphone to the MIC jack, and place the BASE/REPEATER switch in the "BASE" position. Select Channel 1 for alignment purposes.
2. Press and hold in the ACCESSORY switch for two seconds to enter the adjustment mode. The channel number will begin to blink.
3. Press and hold in the PTT key on the microphone. The display will indicate "Po" while transmitting. Observe the power output as indicated on the wattmeter.
4. Press the ▲ (UP: increment) or ▼ (DOWN: decrement) button (to the right of the channel display) repeatedly to adjust the TX output power to 40 Watts (or less) while holding in the PTT key.
5. Once the desired power level has been obtained, release the PTT key. Now press and hold in the ACCESSORY button for at least two seconds to save the new setting and exit to the normal operation.
6. Repeat steps 2. through 5. (above) for any other channels (2 through 16) if they are to be used.
7. Re-test each channel in the normal operating mode to confirm the proper power output. You may now disconnect all test equipment.
8. The duplexer may now be installed.

The above procedure should only be performed by your Authorized Vertex Standard Dealer or a qualified radio technician, in order to ensure accurate calibration. Please consult with your Authorized Vertex Standard Dealer for assistance with procurement of a suitable duplexer.

Duplexer Installation

Installations

1. Remove the 14 screws affixing the top and bottom covers of repeater, and remove the covers (Figure 1).
2. Turn the repeater upside down.
3. Referring to Figure 2, remove the upper screw in either side of the front panel, and loosen the lower screw in either side of the front panel, then slide the front panel forward slightly.
4. Remove the coaxial cables connected to the TX and RX antenna jacks of the repeater.
5. Install the duplexer into the compartment on the bottom side of the repeater, using the four screws and antenna cable provided in the CT-68 Hardware Kit (Figure 3). Some duplexers may not line up with the threaded mounting holes in the repeater's chassis. In this case, use the supplemental mounting brackets supplied with the CT-68 Hardware Kit (Figure 4).
6. Connect the optional Antenna Cable CT-68 between the TX antenna jack of the repeater and ANT (center) jack of the duplexer.
7. If your repeater's Tx/Rx frequency relationship is "upper shift" type ($TXf > RXf$), connect the coaxial cable from the RX Unit to the LOW PASS jack of the duplexer and connect the coaxial cable from the PA Unit to the HIGH PASS jack of the duplexer. If your repeater's Tx/Rx frequency relationship is "lower shift" type ($TXf < RXf$), connect the coaxial cable from the RX Unit to the HIGH PASS jack of the duplexer and connect the coaxial cable from the PA Unit to the LOW PASS jack of the duplexer. **Note:** Route the TX coaxial cable from the PA Unit as far as possible from the RX coaxial cable from the RX Unit.
8. Duplexer installation is now complete. Replace the front panel back into place, and replace the top and bottom covers.

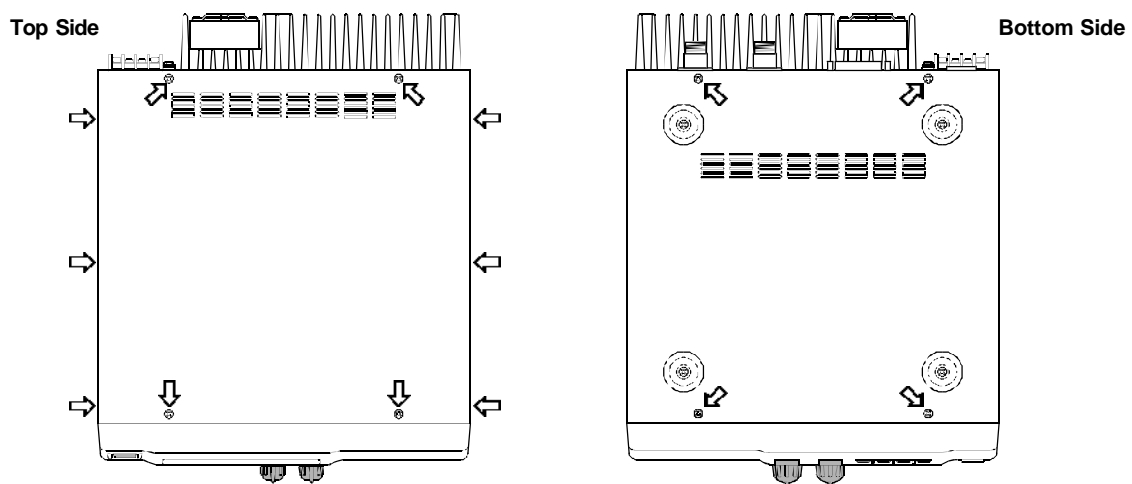


Figure 1

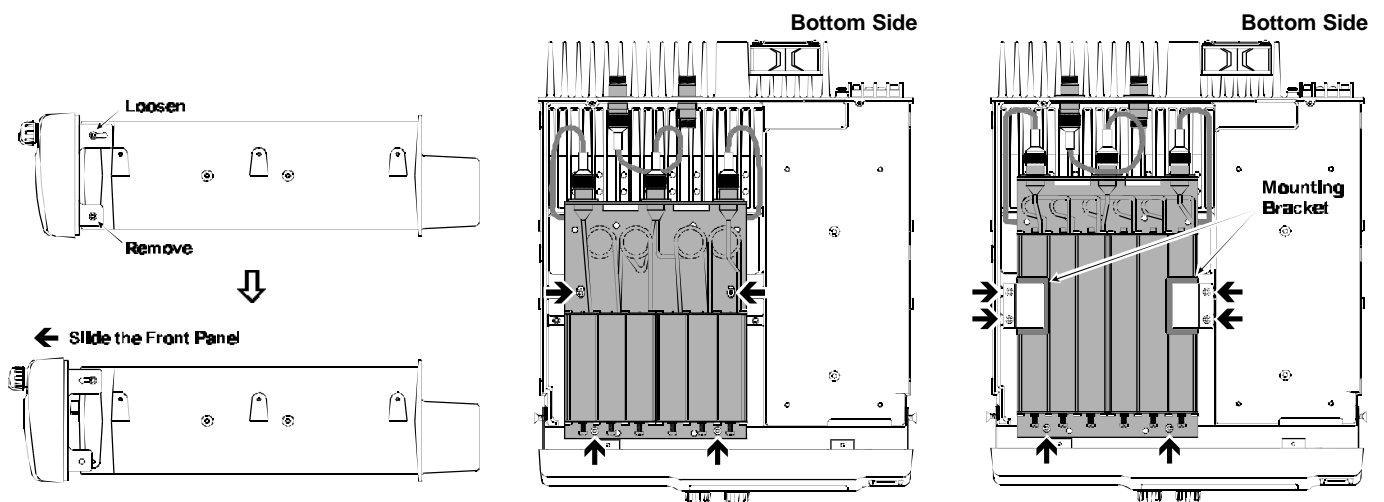


Figure 2

Figure 3

Figure 4

Specifications

General

Frequency Range:	VXR-7000v 136 ~ 150 MHz (A) or 150 ~ 174 MHz (C) VXR-7000U 400 ~ 430 MHz (A), 450 ~ 480 MHz (D), or 480 ~ 512 MHz (F)
Number of Channels:	16
Channel Spacing:	12.5/25 kHz
Frequency Stability:	VXR-7000v ± 2.5 ppm VXR-7000U ± 1.5 ppm
Antenna Impedance:	50 Ω (N-Type)
Tx Activation System:	Carrier-operated, CTCSS tone operated, DCS operated, or remote control
Power Requirements:	115/230 V AC $\pm 10\%$, 50/60 Hz or 13.8 VDC
Ambient Temperature Range:	$-30^{\circ}\text{C} \sim +60^{\circ}\text{C}$
Dimensions (w/o knobs):	325 x 115 x 391.5 mm (12.8 x 4.5 x 15.4 inches)
Weight (approx.):	10 kg (22 lbs.)

Receiver

Receiver Type:	Double-conversion Superheterodyne
Sensitivity:	VXR-7000v 0.25 μV for 12 dB SINAD, 0.35 μV for 20 dB NQ VXR-7000U 0.3 μV for 12 dB SINAD, 0.4 μV for 20 dB NQ
Selectivity:	80 dB
Intermodulation:	VXR-7000v 80 dB VXR-7000U 85 dB
Spurious & Image Rejection:	VXR-7000v 95 dB VXR-7000U 85 dB
Audio Output:	4 W @ 4 Ω

Transmitter

RF Output:	10 ~ 50 W (Adjustable)
Duty Cycle:	100 %
Maximum Deviation:	± 5.0 kHz (25 kHz spacing), ± 2.5 kHz (12.5 kHz spacing)
Modulation Type:	16K0F3E/11K0F3E
Audio Distortion:	Less than 2.5 % @ 1 kHz
Spurious Emissions:	VXR-7000v Better than 80 dB below carrier VXR-7000U Better than 75 dB below carrier

Specifications are subject to change without notice or obligation.

Supplied

Item	Quantity
AC Cord (T9013282)	1
Spare 5A AC Fuse (Q0000005)	1
Spare 20A DC Fuse (Q0000079)	1

Options

MD-11 A&J	Desktop Microphone
CT-68	Antenna Cable w/mounting screw (for the Antenna Duplexer)
VPL-1	Programming Cable
MR-3	19" Cabinet Rack-Mount Unit

Note

**This device complies with Part 15 of the FCC rules.
Operation is subject to the condition that this device
does not cause harmful interference.**



Copyright 2000
VERTEX STANDARD CO., LTD.
All right reserved.



No portion of this manual
may be reproduced
without the permission of
VERTEX STANDARD CO., LTD.
Printed in Japan